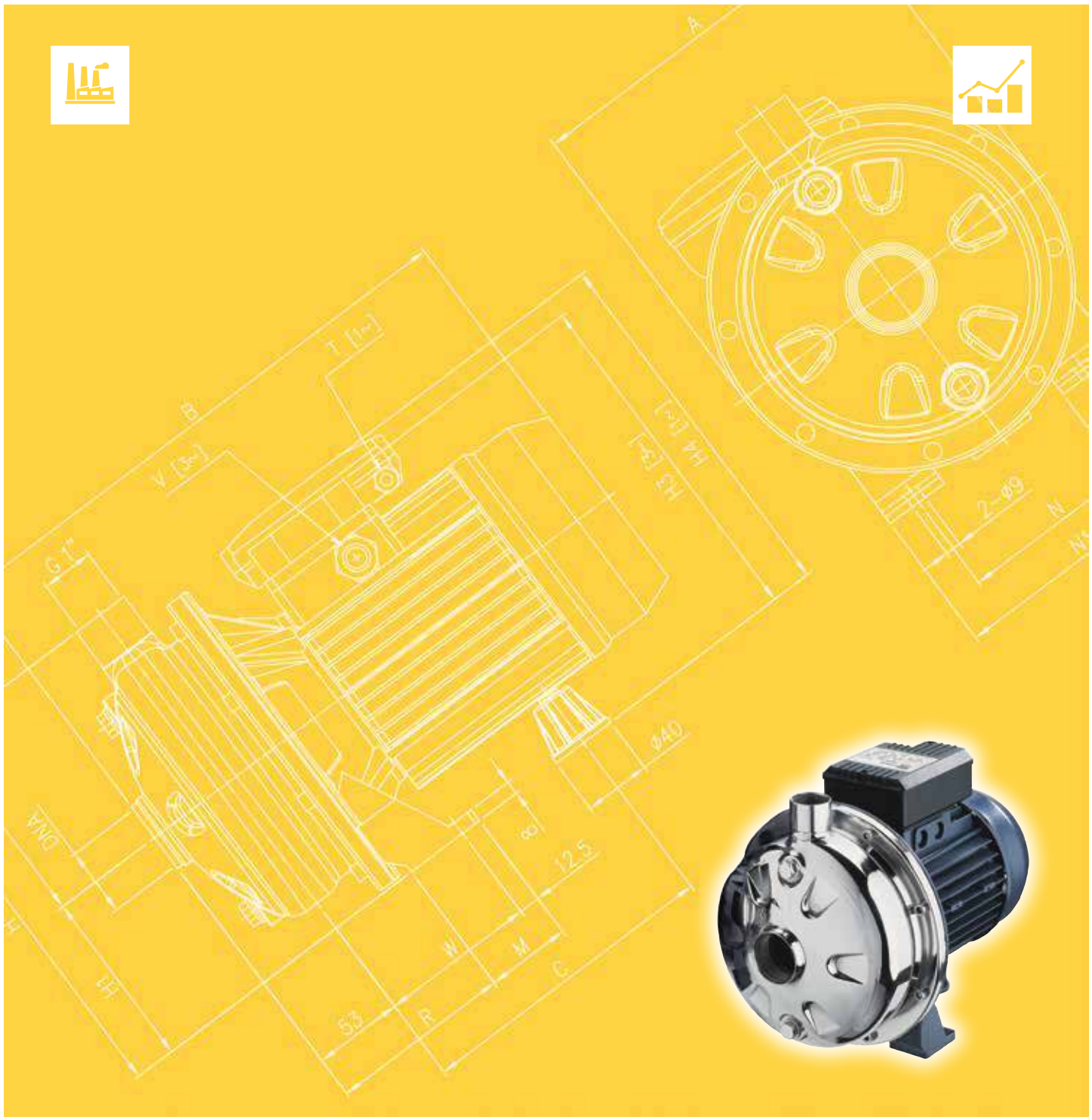




Japanese Technology since 1912

CDX

Data Book 50Hz



SPECIFICATIONS

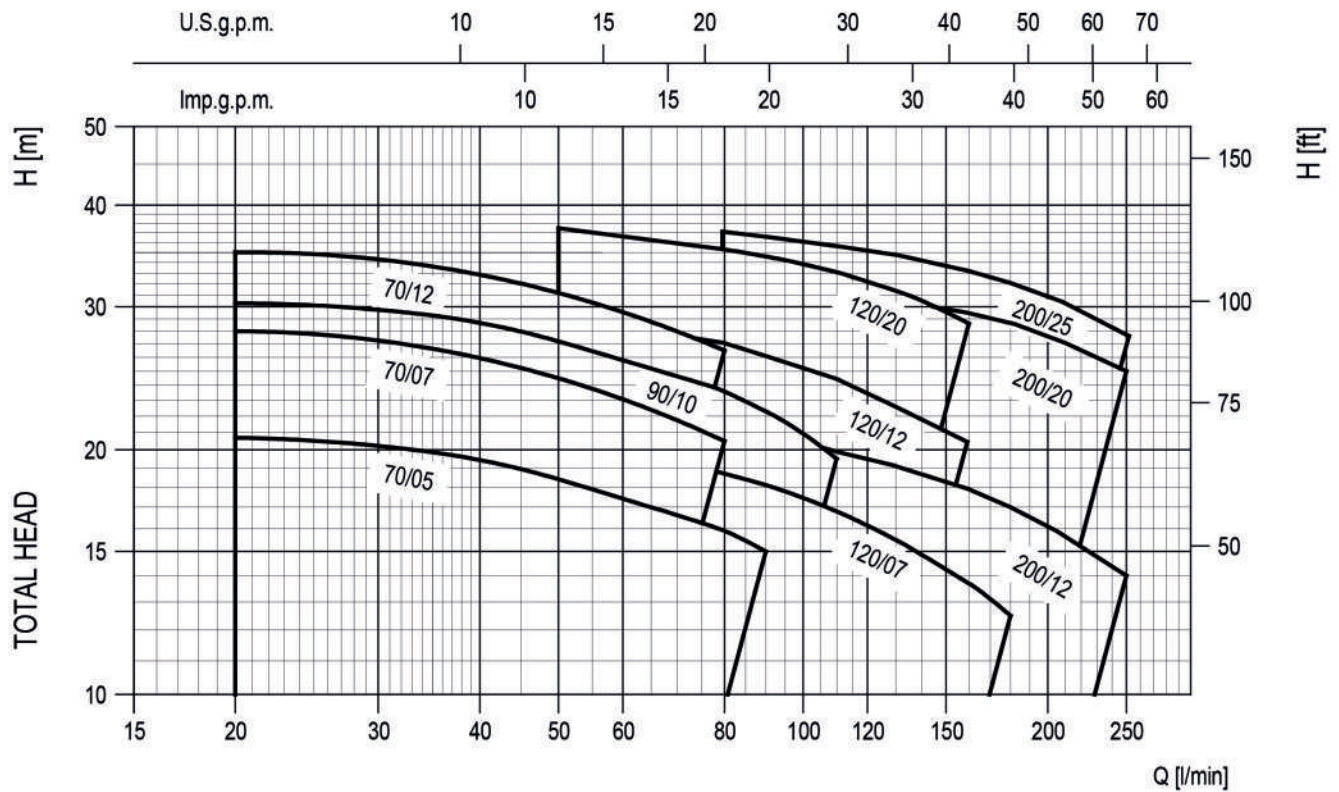
50Hz

Rev. Z

PUMP		
Liquid Handled	Type of liquid	Clean water
	Temperature [°C]	min. -5 max. +120 For full details see section "FLUID TEMPERATURE RANGE"
Maximum working pressure [MPa]		0.8
Construction	Impeller	Closed centrifugal type
	Shaft seal type	Mechanical seal
	Bearing	Sealed ball bearing
Pipe Connection	Suction	from G1"¼ to G1"½ UNI ISO 228-1
	Discharge	G1" UNI ISO 228-1
Material	Casing	EN 1.4301 (AISI 304) - (AISI 316L only for "L" version)
	Impeller	EN 1.4301 (AISI 304) - (AISI 316L only for "L" version)
	Casing cover	EN 1.4301 (AISI 304) - (AISI 316L only for "L" version)
	Shaft seal	Ceramic/Carbon/NBR (for special versions see page 303)
	Shaft	AISI 303 / AISI 316L (Wet extension)
	Bracket	Aluminium
Applicable standard of test		ISO 9906:2012 – Grade 3B

MOTOR		
Type	Electric - TEFC	
	Single Phase	Three Phase
Efficiency level (Reg. 1781/2019)	IE2	IE3
No. of Poles	2	
Rotation speed [min ⁻¹]	≈ 2800	
Insulation Class	F	
Protection degree (CEI EN 60034-5)	IP 55	
Power rating	[kW]	0.45 ÷ 1.8
	[HP]	0.6 ÷ 2.4
Frequency [Hz]	50	
Voltage [V]	230 ±10%	230/400 ±10%
Capacitor	Built in	-
Over load protection	Built in	Provided by the user
Casing material	Aluminium	
Base material/motor support	Aluminium	
Dimensions of cable entry	PG11 - PG13.5 - M16x1.5 – M20x1.5 (see dimensions table page 400)	

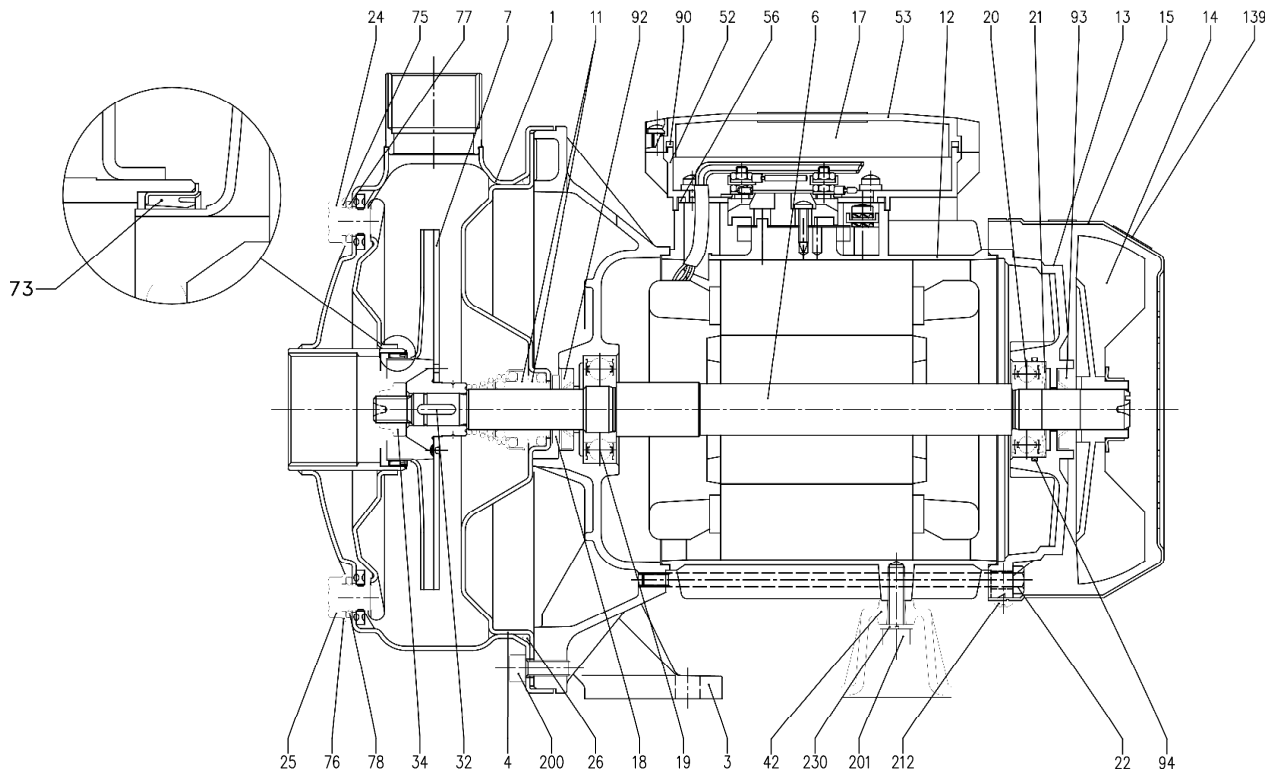
PERFORMANCE RANGE



SELECTION CHART

Pump Type		Q=Capacity											
		l/min	0	20	50	80	90	110	130	160	180	210	250
Single Phase	Three Phase	m ³ /h	0	1.2	3	4.8	5.4	6.6	7.8	9.6	10.8	12.6	15
		H=Total manometric head in meters											
CDXM 70/05	CDX 70/05	21,1	20,3	18,3	16,0	15,2	-	-	-	-	-	-	-
CDXM 70/07	CDX 70/07	29,7	28,1	25,5	22,4	-	-	-	-	-	-	-	-
CDXM 90/10	CDX 90/10	30,5	29,1	26,6	23,4	22,1	19,3	-	-	-	-	-	-
CDXM 120/07	CDX 120/07	23,1	-	21,1	19,7	19,2	18,2	17,1	15,2	13,8	-	-	-
CDXM 120/12	CDX 120/12	31,2	-	29,3	27,5	26,8	25,2	23,6	21,0	-	-	-	-
CDXM 120/20	CDX 120/20	40,5	-	38,5	37,2	36,8	35,8	34,7	32,7	-	-	-	-
CDXM 200/12	CDX 200/12	22,8	-	-	21,3	21,0	20,4	19,7	18,5	17,6	16,0	14,0	-
CDXM 200/20	CDX 200/20	34,5	-	-	32,6	32,3	31,7	31,0	30,0	29,2	28,0	26,2	-
-	CDX 200/25	41,0	-	-	39,1	38,8	38,0	37,3	36,0	35,0	33,4	30,9	-

SECTIONAL VIEW



N°	PART NAME	MATERIAL	Q.TY
1	Casing	AISI 304 / AISI 316L [5]	1
3	Motor bracket	Aluminium	1
4	Casing cover	AISI 304 / AISI 316L [5]	1
6	Shaft with rotor	AISI 303 / AISI 316L [5] (Wet extension)	1
7	Impeller	AISI 304 / AISI 316L [5]	1
11	Mechanical seal [6]	Carbon/Ceramic/NBR	1
12	Motor frame with stator	-	1
13	Motor cover	Aluminium	1
14	Fan	PA	1
15	Fan cover	Fe P04 Zincate	1
17	Terminal box cover [2]	Aluminium	1
18	Splash ring	NBR	1
19	Pump side ball bearing	-	1
20	Fan side ball bearing	-	1
21	Adjusting ring	Steel C70	1
22	Tie rod	Fe 420 Zincate	4
24	Priming plug	AISI 304 / AISI 316 [5]	1

N°	PART NAME	MATERIAL	Q.TY
25	Drain plug	AISI 304 / AISI 316 [5]	1
26	O-ring [3]	NBR	1
32	Key	AISI 316	1
34	Impeller nut	AISI 304 / AISI 316 [5]	1
42	Motor support	Aluminium	1
52	Terminal box [1]	ABS class V-0	1
53	Terminal box cover [1]	ABS class V-0	1
56	Box gasket	NBR	1
73	Casing ring [4]	EPDM	1
75	Washer	AISI 304	1
76	Washer	AISI 304	1
77	O-ring [3]	NBR	1
78	O-ring [3]	NBR	1
90	Terminal box cover gasket [1]	NBR	1
92	Lip seal	-	1
93	Lip seal	-	1
94	O-ring [7]	NBR	1
200	Screw	Stainless steel A2 UNI7323	8

[1] Only for single phase

[2] Only for three phases

[3] FPM for H-HS-HW-HSW

EPDM for E and Special Mechanical Seal

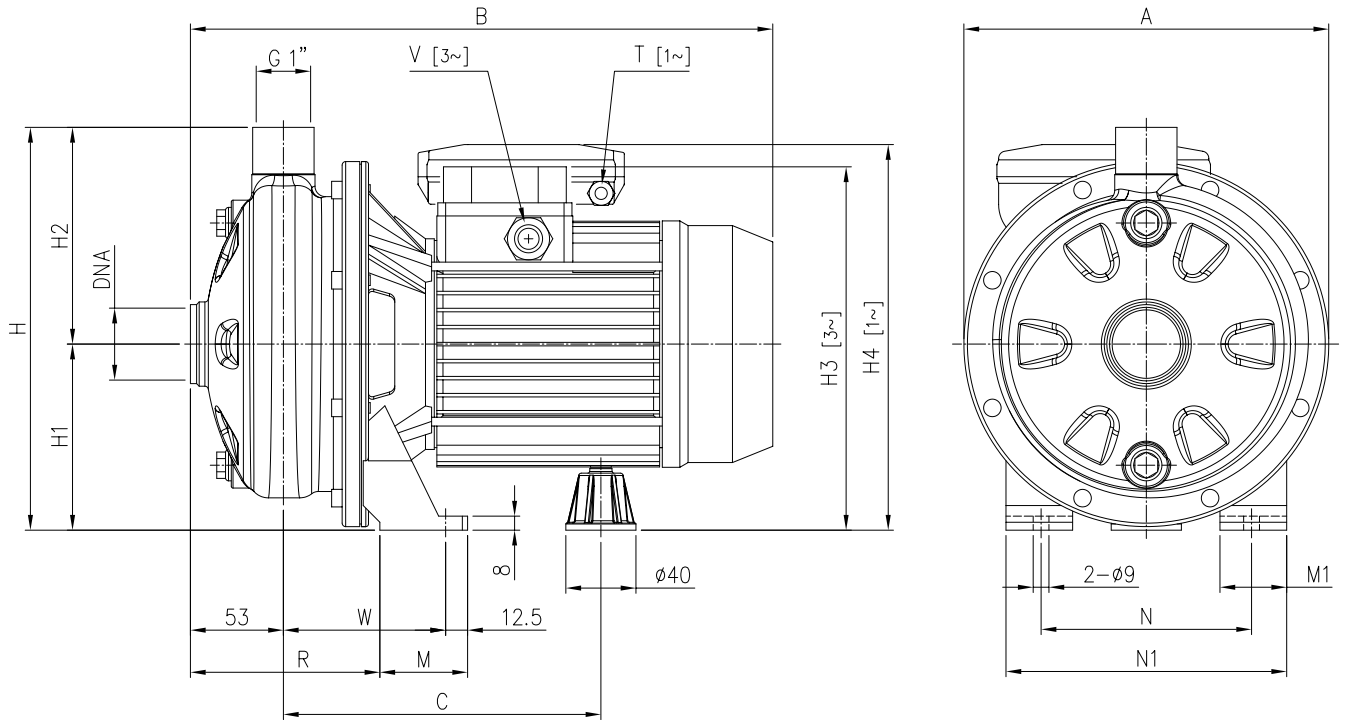
[4] FPM for H-HS-HW-HSW

[5] Only for "L" version

[6] See **MECHANICAL SEAL** pages 301-302

[7] Only for CDX 120/12; CDX 200/12; CDXM 90/10; CDXM 120/12; CDXM 200/12 models

PUMP

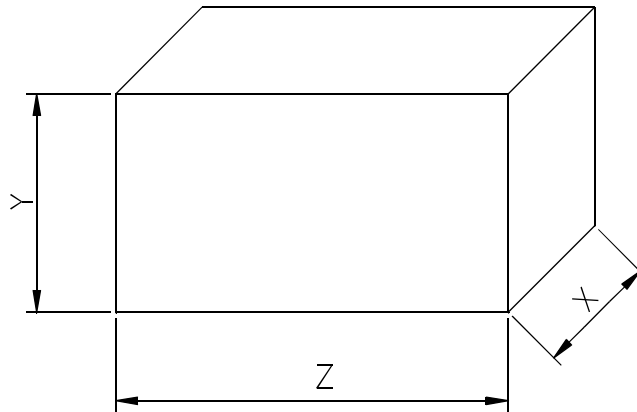


Pump type		Dimensions [mm]																			Weight [kgf]	
Single Phase	Three Phase	A	B		C	H	H1	H2	H3	H4	M	M1	N	N1	R	T	V	W	DNA	Weight [kgf]		
			[1~]	[3~]					[3~]	[1~]						[1~]	[3~]			[1~]	[3~]	
CDXM 70/05	CDX 70/05	208	321	320	181	229.5	106	123.5	207	216	50	38	120	160	108	PG11	M16X1.5	92.5	G 1"1/4	9.0	9.1	
CDXM 70/07	CDX 70/07	208	321	320	181	229.5	106	123.5	207	216	50	38	120	160	108	PG11	M16X1.5	92.5	G 1"1/4	11.0	11.1	
CDXM 90/10	CDX 90/10	208	333	320	181	229.5	106	123.5	207	216	50	38	120	160	108	PG11	M16X1.5	92.5	G 1"1/4	12.5	11	
CDXM 120/07	CDX 120/07	208	321	320	181	229.5	106	123.5	207	216	50	38	120	160	108	PG11	M16X1.5	92.5	G 1"1/4	11.0	10.1	
CDXM 120/12	CDX 120/12	208	333	332	181	229.5	106	123.5	207	235	50	38	120	160	108	PG11	M16X1.5	92.5	G 1"1/4	12.5	12.4	
CDXM 120/20	CDX 120/20	232	359	371.5	198.5	250	118	132	237	248.5	55	40	140	180	105.5	PG13.5	M20X1.5	95	G 1"1/4	18.0	18.1	
CDXM 200/12	CDX 200/12	208	333	332	181	229.5	106	123.5	207	235	50	38	120	160	108	PG13.5	M16X1.5	92.5	G 1"1/2	12.5	12.2	
CDXM 200/20	CDX 200/20	208	359	371.5	198.5	229.5	106	123.5	225	236.5	55	40	140	180	105.5	PG13.5	M20X1.5	95	G 1"1/2	17.0	17	
-	CDX 200/25	232	-	371.5	198.5	250	118	132	237	-	55	40	140	180	105.5	-	M20X1.5	95	G 1"1/2	-	16.8	

[1~] Single phase

[3~] Three phase

PACKING



Pump type		Packing [mm]						Weight [kgf]	
Single Phase	Three Phase	X		Y		Z		[1~]	[3~]
		[1~]	[3~]	[1~]	[3~]	[1~]	[3~]		
CDXM 70/05	CDX 70/05	245	245	310	310	450	450	10	9.8
CDXM 70/07	CDX 70/07	245	245	310	310	450	450	12.5	11.9
CDXM 90/10	CDX 90/10	245	245	310	310	450	450	13.5	11.6
CDXM 120/07	CDX 120/07	245	245	310	310	450	450	12.5	11.9
CDXM 120/12	CDX 120/12	245	245	315	315	510	510	15	13.2
CDXM 120/20	CDX 120/20	245	245	315	315	510	510	19.5	18.9
CDXM 200/12	CDX 200/12	245	245	315	315	510	510	14	12.9
CDXM 200/20	CDX 200/20	245	245	315	315	510	510	18.5	17.7
-	CDX 200/25	-	245	-	315	-	510	-	17.6

[1~] Single phase
 [3~] Three phase